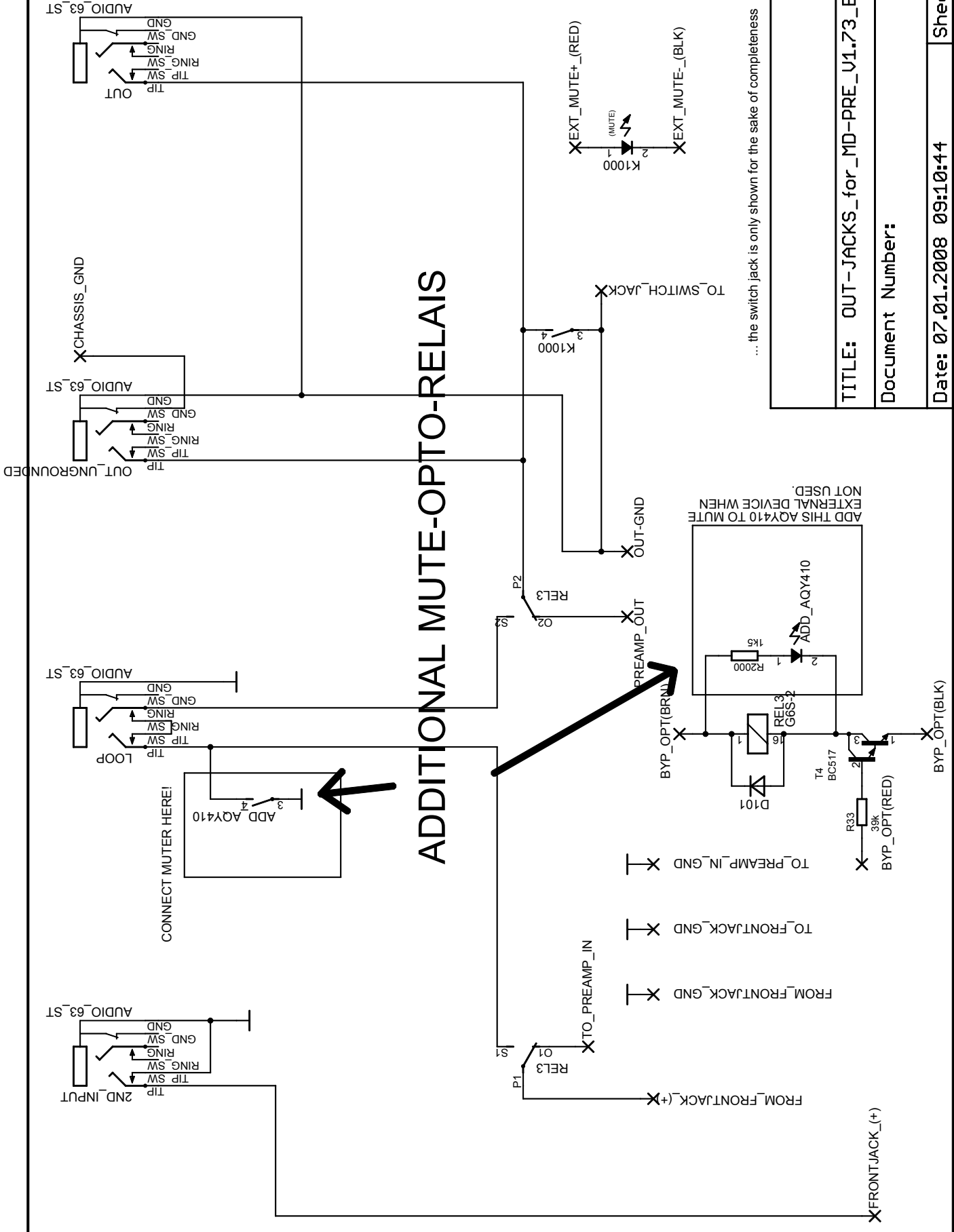


# ADDITIONAL MUTE-OPTO-RELAIS



... the switch jack is only shown for the sake of completeness

TITLE: OUT-JACKS_for_MD-PRE_V1.73_ERRATA	
Document Number:	REV:
Date: 07.01.2008 09:10:44	Sheet: 1/1